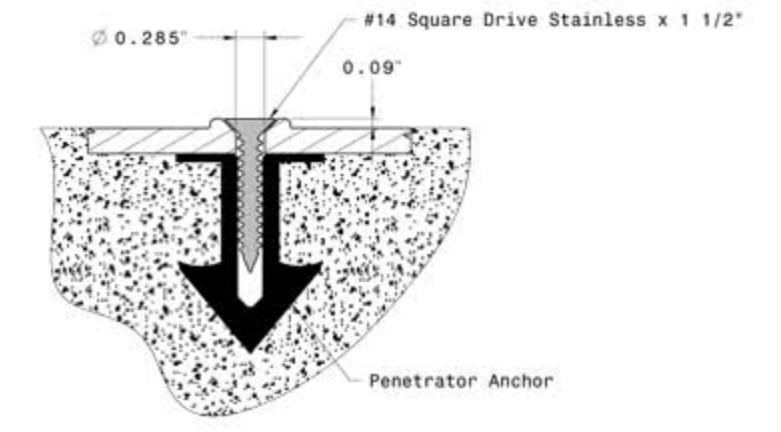
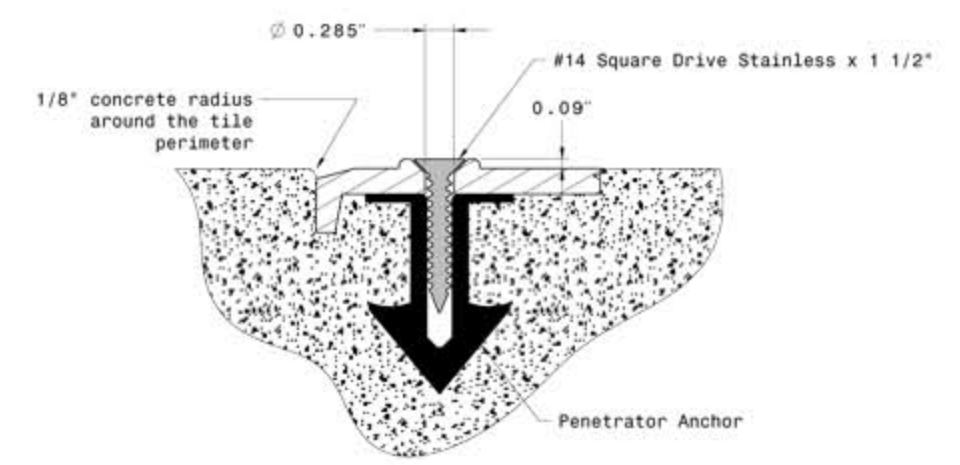


Fastener Location
24 places
(see fastener detail)



TYPICAL INTERIOR FASTENER DETAIL

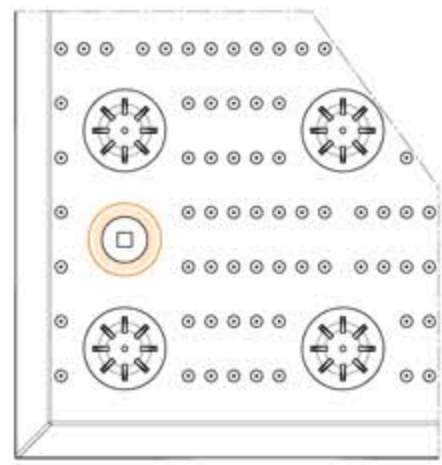


TYPICAL PERIMETER FASTENER DETAIL

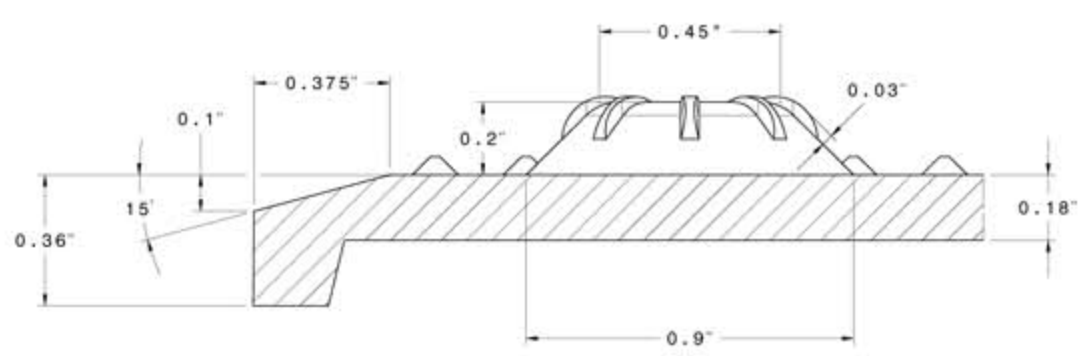
PLAN VIEW: 2-PANEL



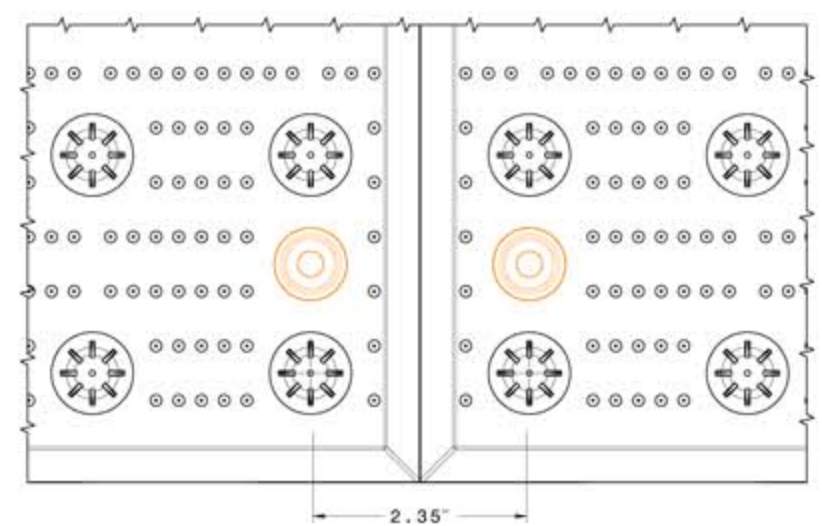
SIDE VIEW



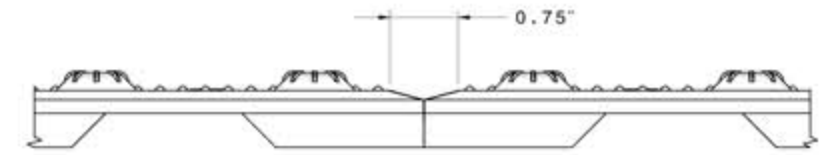
DETAIL A
(Field area micro-domes closeup)



Section view A-A



PLAN VIEW: 2-PANEL DETAIL



SIDE VIEW: 2-PANEL

www.alerttile.com
877-232-6287

SUBJECT:
alertcast
Detectable Warning System
TRUNCATED DOME, DETECTABLE
WARNING TACTILE SURFACE

MATERIAL LIST

ITEM	Description	PART No.	QTY
1	AlertCast Panel	AC-2436-XX	2
2	Stainless Screw	Alert Screw	24
3	Penetrator Anchor	PA-1	24

REVISION HISTORY

REV.	DATE	DESCRIPTION	APPROVED

UNLESS OTHERWISE SPECIFIED
DIMENSIONS ARE IN INCHES
TOLERANCES: +/- 0.050"
ANGLES: +/- 1 deg.

APPROVALS: DWG: 10/15/2012
REV: 10/19/2012
DATE: 10/22/2012

PROJECT:
alertcast
Detectable Warning System
TRUNCATED DOME, DETECTABLE
WARNING TACTILE SURFACE
2x3 CAST IN PLACE replaceable
INLINE DOME TILE DRAWING

SCALE: 1/8" = 1'-0"
SCALE PRINT

PROJECT NUMBER: AC-3648