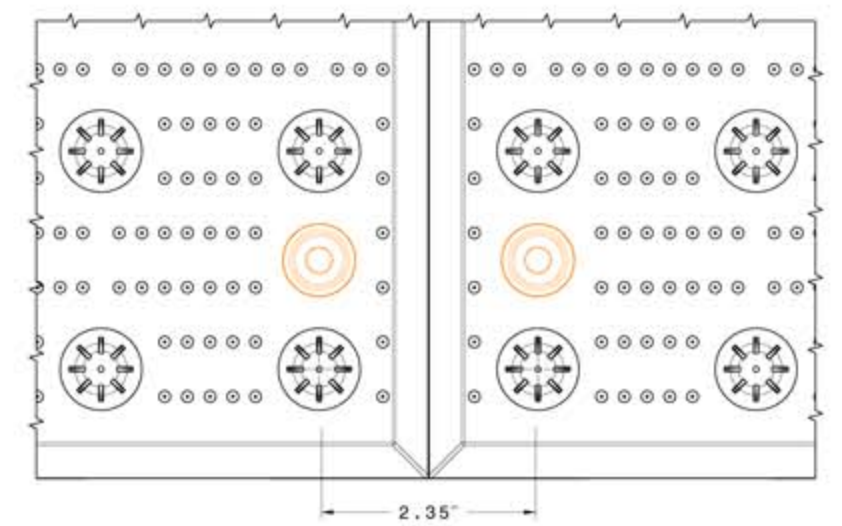
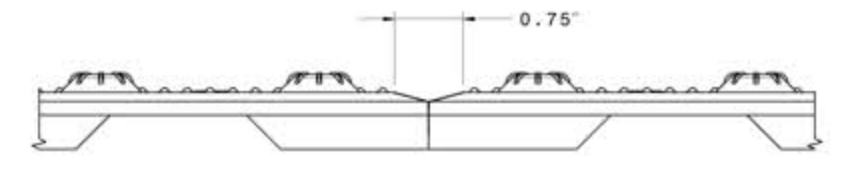


Fastener Location
18 places
(see fastener detail)



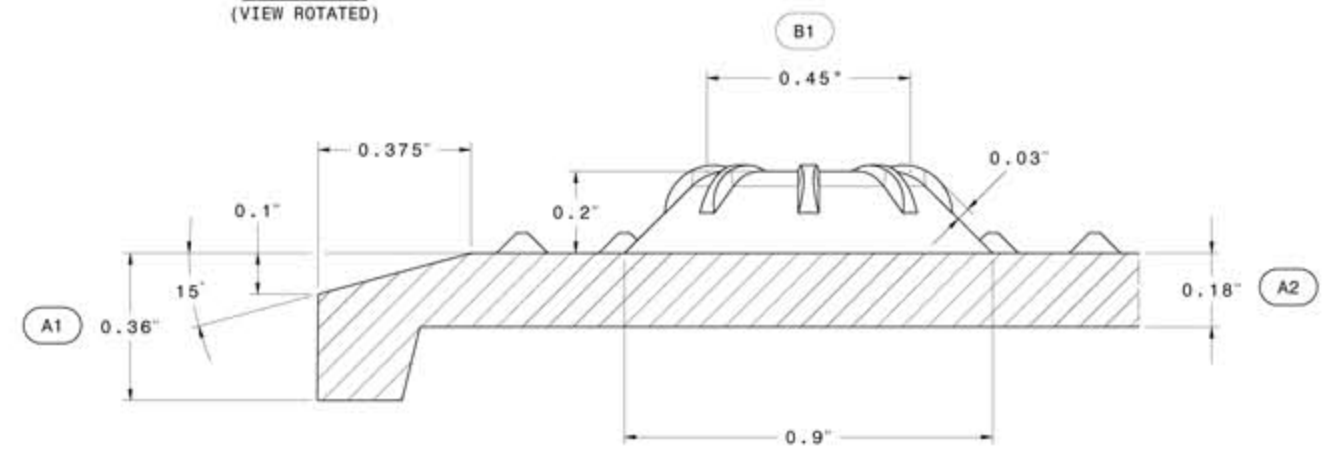
PLAN VIEW: 2-PANEL



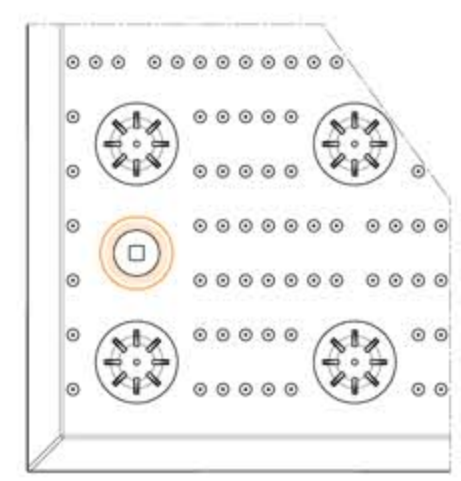
SIDE VIEW: 2-PANEL



DETAIL B
(VIEW ROTATED)



Section view A-A

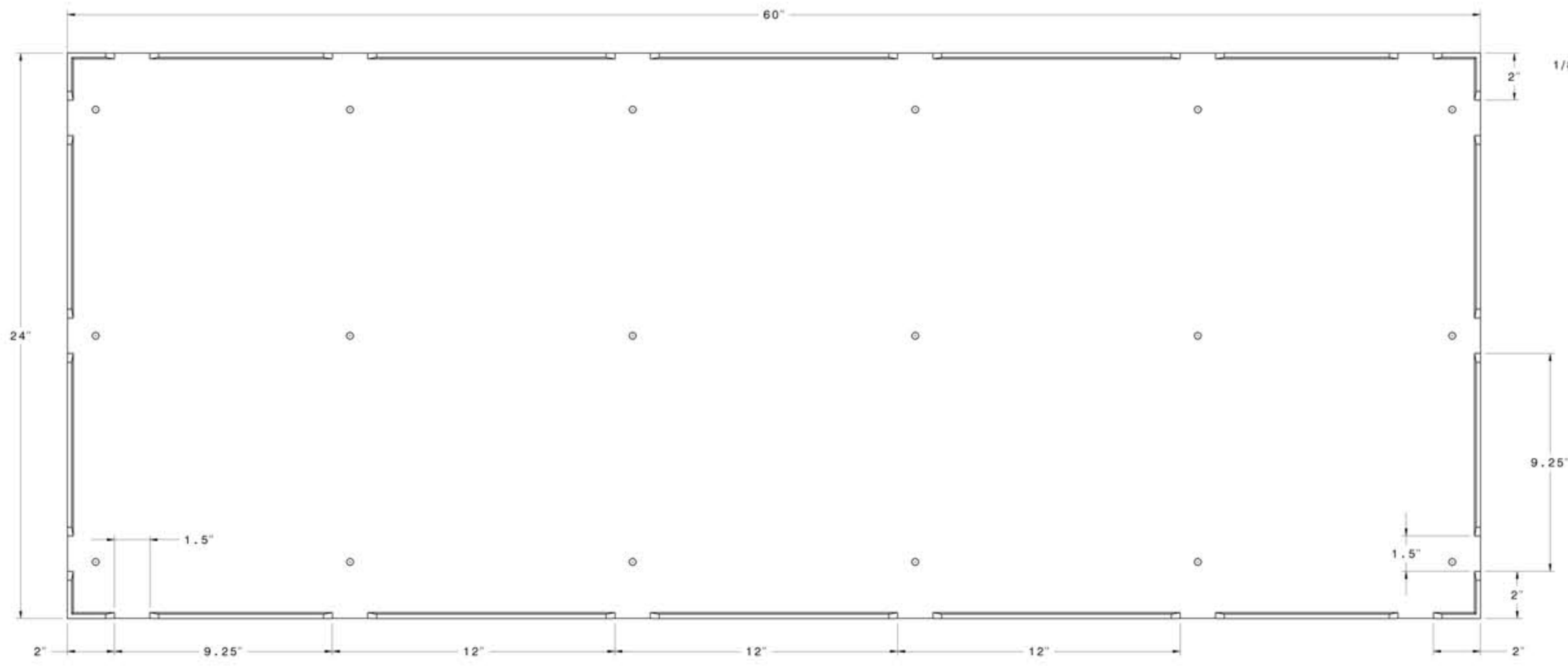


DETAIL A
(Field area micro-domes closeup)

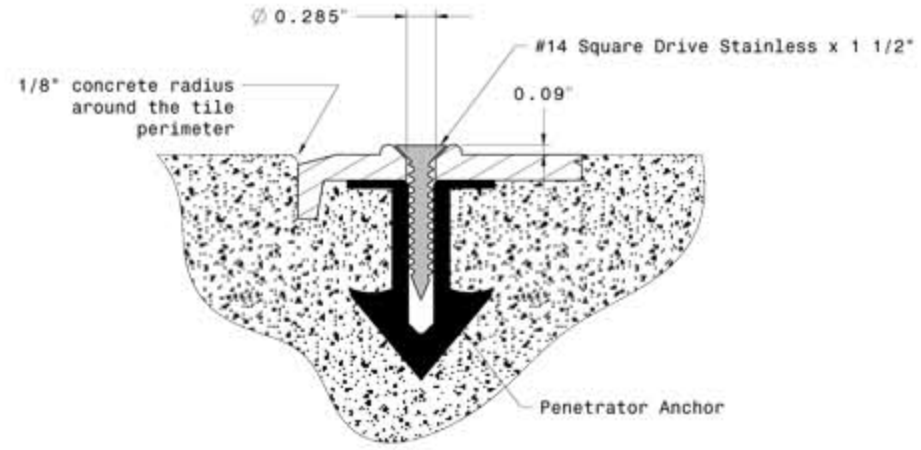
PLAN VIEW



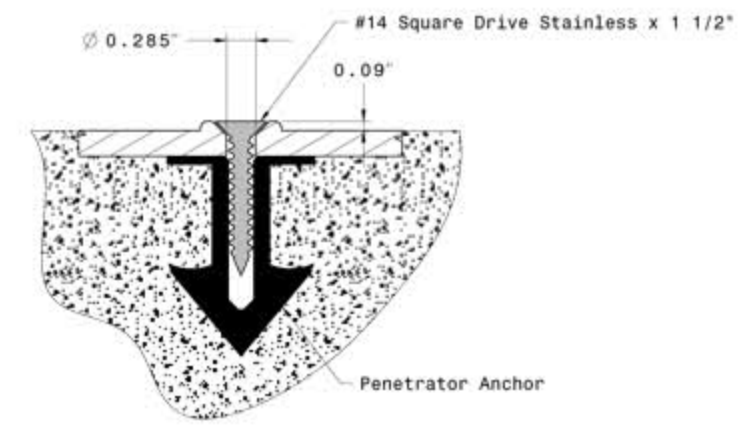
SIDE VIEW



UNDERSIDE VIEW



TYPICAL PERIMETER FASTENER DETAIL



TYPICAL INTERIOR FASTENER DETAIL

www.alerttile.com
877-232-6287

alertcast
Detectable Warning System
TRUNCATED DOME, DETECTABLE
WARNING TACTILE SURFACE

MATERIAL LIST			
ITEM	Description	PART No.	QTY
1	AlertCast Panel	AC-2460-XX	1
2	Stainless Screw	Alert Screw	18
3	Penetrator Anchor	PA-1	18

REVISION HISTORY			
REV.	DATE	DESCRIPTION	APPROVED
A	10/12/11	1-Dimension was 0.025\"/>	

UNLESS OTHERWISE SPECIFIED
DIMENSIONS ARE IN INCHES
TOLERANCES: +/- 0.050\"/>

SCALE: AS SHOWN

alertcast
Detectable Warning System
TRUNCATED DOME, DETECTABLE
WARNING TACTILE SURFACE
2x5 CAST IN PLACE replaceable
INLINE DOME TILE DRAWING

PROJECT: AC-2460