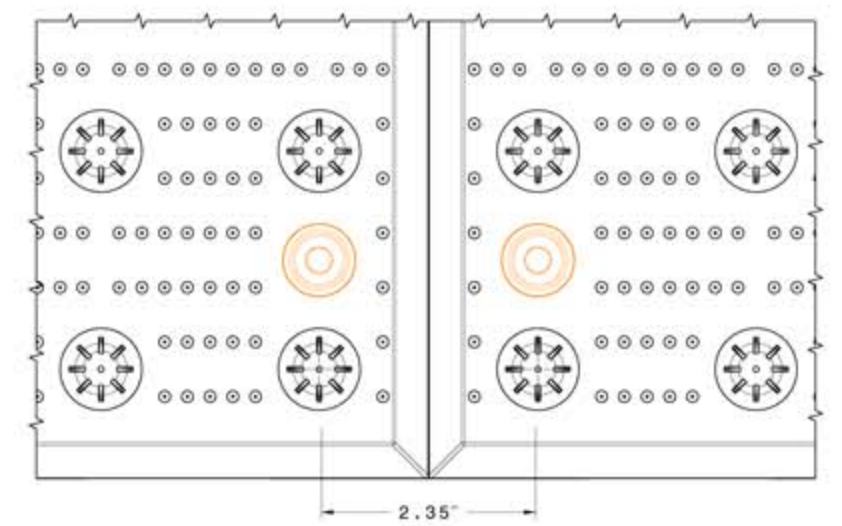
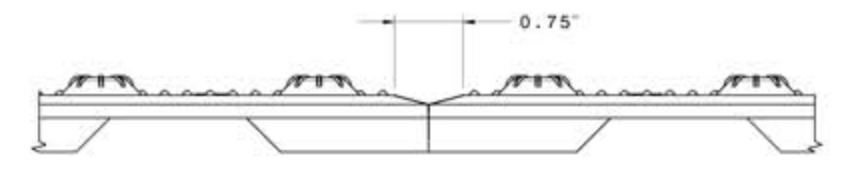


Fastener Location  
12 places  
(see fastener detail)



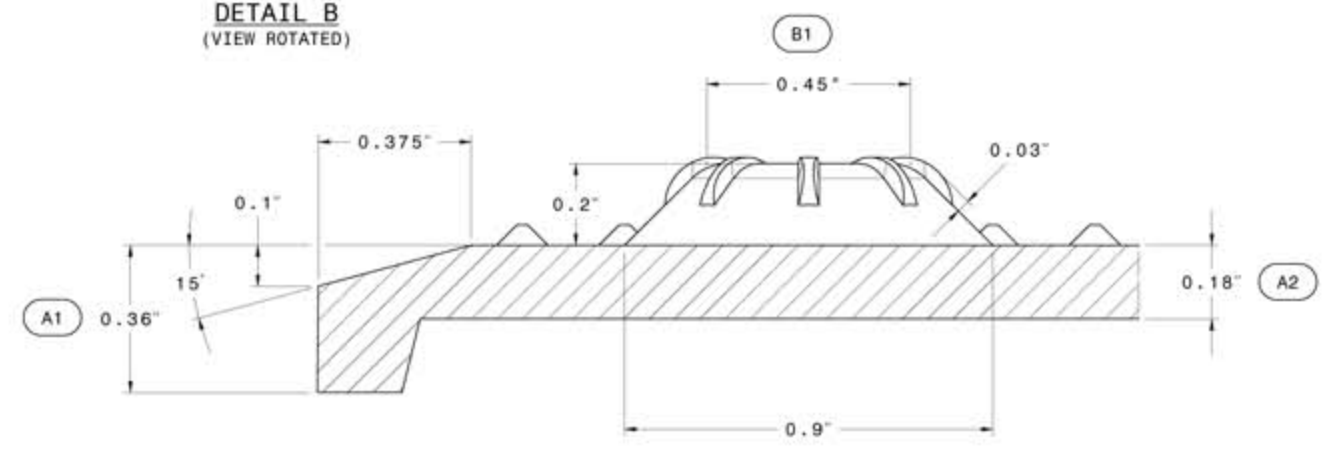
PLAN VIEW: 2-PANEL



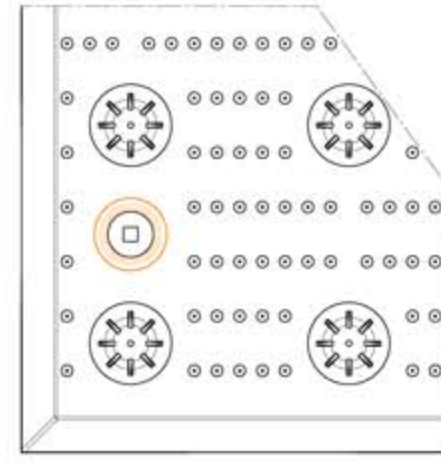
SIDE VIEW: 2-PANEL



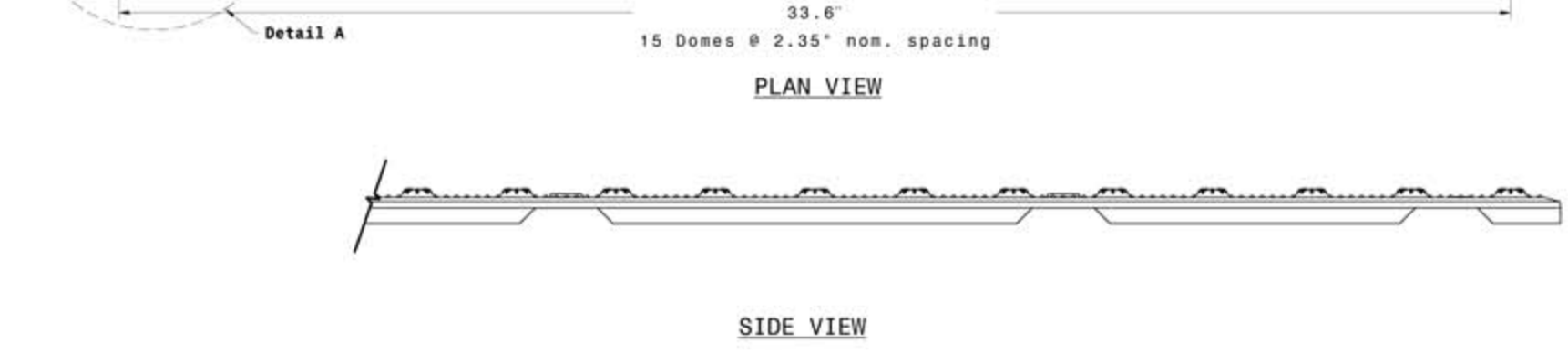
DETAIL B  
(VIEW ROTATED)



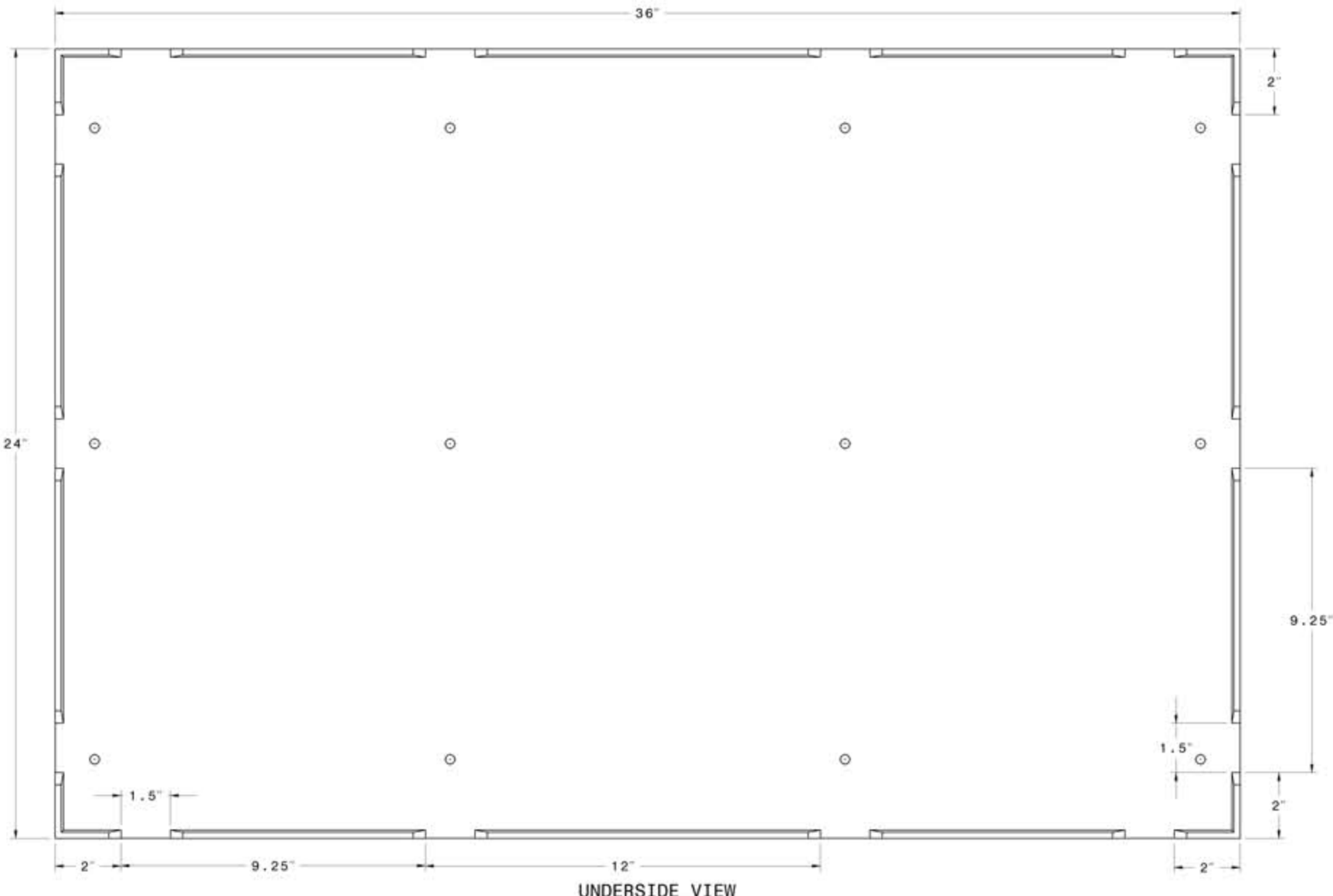
Section view A-A



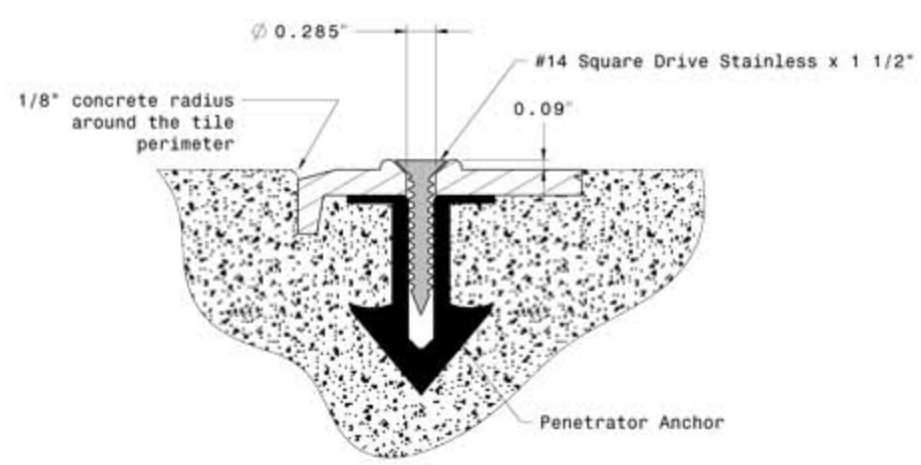
DETAIL A  
(Field area micro-domes closeup)



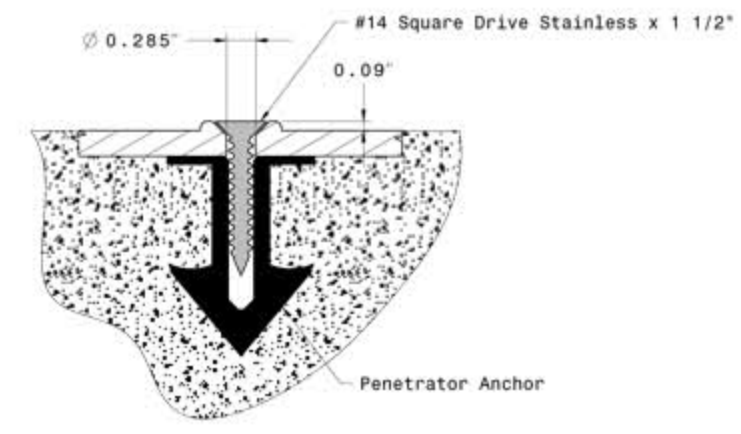
SIDE VIEW



UNDERSIDE VIEW



TYPICAL PERIMETER FASTENER DETAIL



TYPICAL INTERIOR FASTENER DETAIL

www.alerttile.com  
877-232-6287

**alertcast**  
Detectable Warning System  
TRUNCATED DOME, DETECTABLE  
WARNING TACTILE SURFACE

**MATERIAL LIST**

ITEM	Description	PART No.	QTY
1	AlertCast Panel	AC-2436-XX	1
2	Stainless Screw	Alert Screw	12
3	Penetrator Anchor	PA-1	12

**REVISION HISTORY**

REV.	DATE	DESCRIPTION	APPROVED
A	10/12/11	Dimension was 0.625\"/>	

UNLESS OTHERWISE SPECIFIED  
DIMENSIONS ARE IN INCHES  
TOLERANCES: +/- 0.050\"/>

**alertcast**  
Detectable Warning System  
TRUNCATED DOME, DETECTABLE  
WARNING TACTILE SURFACE  
2x3 CAST IN PLACE replaceable  
INLINE DOME TILE GRABING.

AC-2436